

MedReel Specifications

CASE:

Molded Polypropylene case
Minimum 3.175 mm thickness
UL flammability rated 94V -2
Secured with cyanoacrylate to form a watertight seal
Flame retardant

POWER SUPPLY ELECTRICAL CORD

16/3 AWG Type SJOW

ELECTRICAL RECEPTACLES & PLUGS

Rated 125V, 15Amps
The MedReel is hospital grade & **green dot certified**

CIRCUIT BREAKER

13 Amps

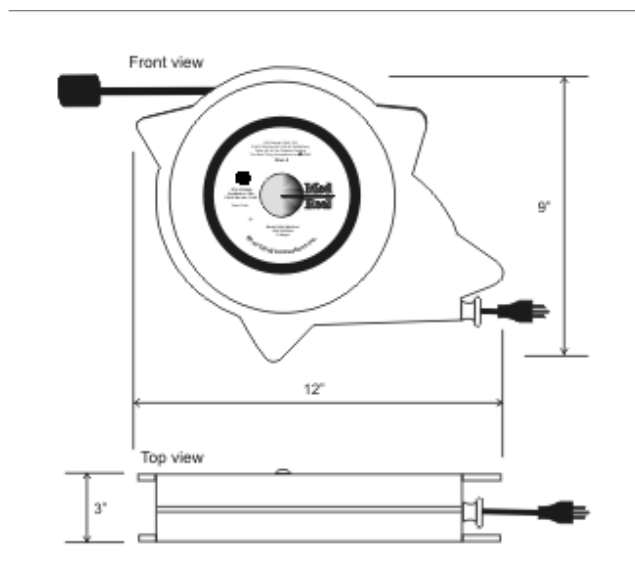
MEDREEL LENGTH

MedReel Comes in 10' and 20' lengths

OPERATING TEMPERATURE

Temperatures up to 221° F

DIMENSIONS



APC Group Inc.
3120 West Carefree Highway
Suite 1-412
Phoenix, AZ 85086



Phone: (623) 266-4159

Fax: (480) 452-1807

info@apcgroupinc.com

www.apcgroupinc.com

www.medreel.com

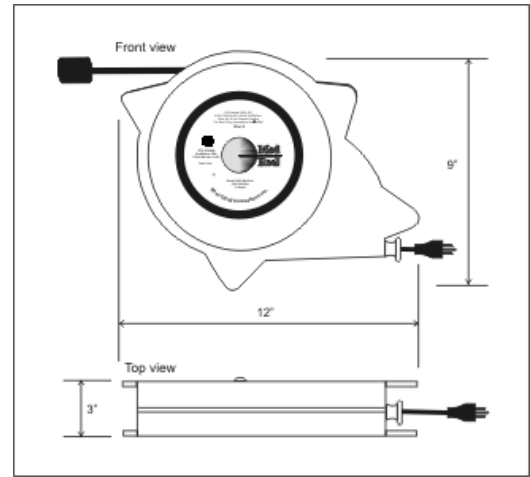
Please forward all engineering and OEM
questions to Ken Forster at

ken@apcgroupinc.com

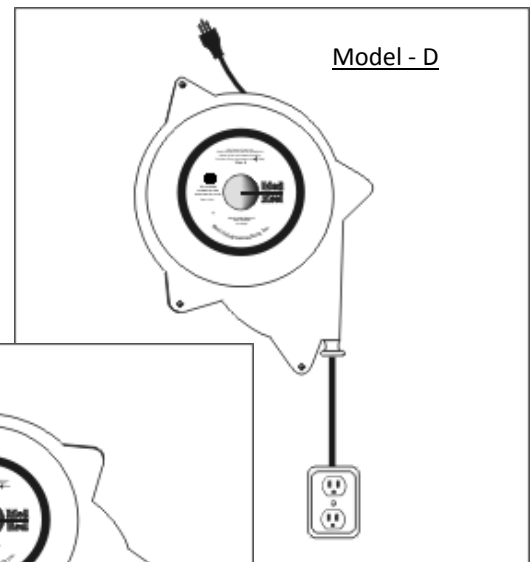
MedReel - Cut Sheet



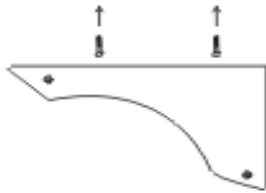
Model - F



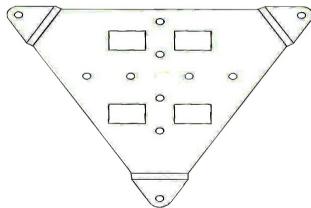
Model - D



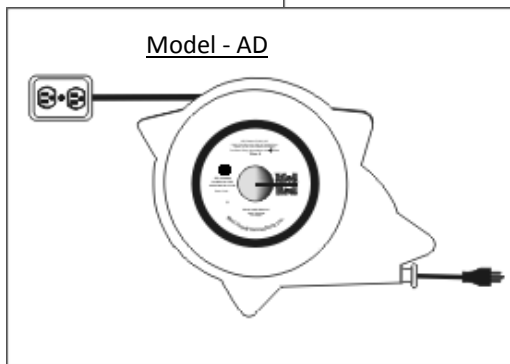
Ceiling mounting bracket



Wall, pole, cart mounting bracket



Model - AD



Product	Type	Length	Amperage	Conductor Size	Retractable end	Non-Retract end	Mounting	Bracket	Ship weight	Op Temp
MedReel	MR	10	13	14	D	M	Ceiling	MRCB	10 lbs	(-50/220 °)
MedReel	MR	20	13	14	D	M	Ceiling	MRCB	10 lbs	(-50/220 °)
MedReel	MR	10	13	14	F	M	Ceiling	MRCB	10 lbs	(-50/220 °)
MedReel	MR	20	13	14	F	M	Ceiling	MRCB	10 lbs	(-50/220 °)
MedReel	MR	10	13	14	M	F	Wall/Pole/Cart	MRMP	10 lbs	(-50/220 °)
MedReel	MR	20	13	14	M	F	Wall/Pole/Cart	MRMP	10 lbs	(-50/220 °)
MedReel	MR	10	13	14	AD	M	Wall/Pole/Cart	MRMP	10 lbs	(-50/220 °)
MedReel	MR	20	13	14	AD	M	Wall/Pole/Cart	MRMP	10 lbs	(-50/220 °)